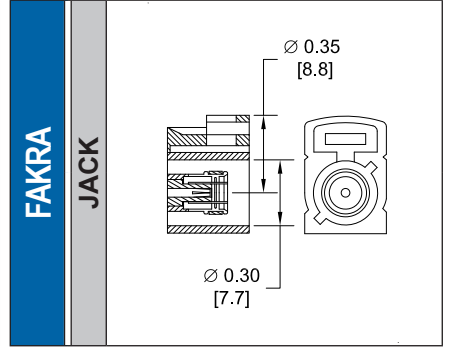
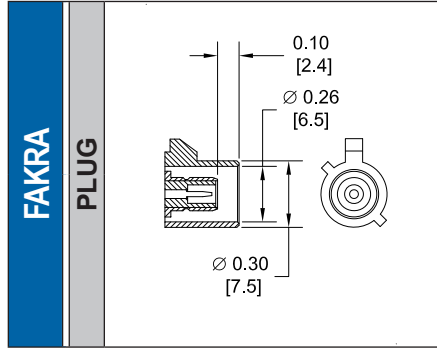
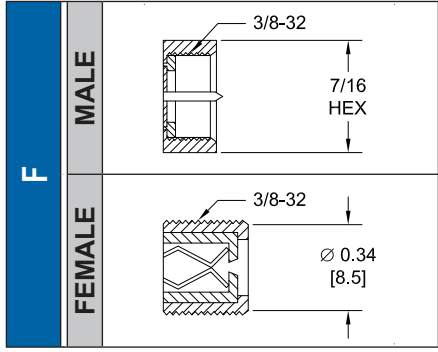
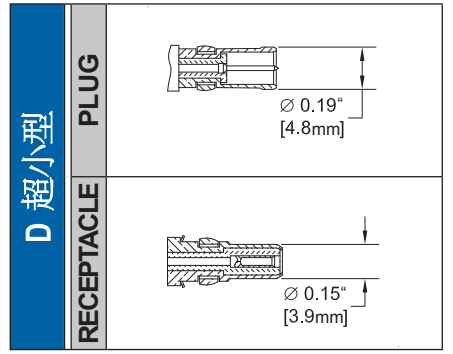
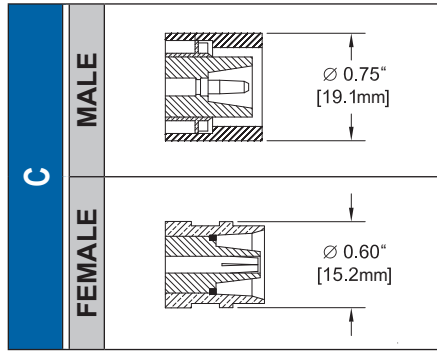
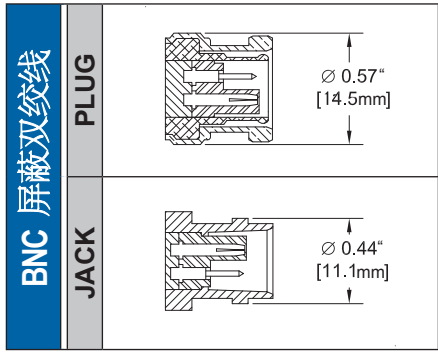


同轴连接器外形图和尺寸

1.0/2.3 滑动型	插头	
	插座	
1.85 mm**	公头	
	母头	
1.0/2.3 按扣型	插头	
	插座	
2.4 mm**	MALE	
	FEMALE	
1.6/5.6	插头	
	插座	
2.92 mm*	MALE	
	FEMALE	
3.5 mm*	MALE	
	FEMALE	
7 mm	MALE	
	FEMALE	
7/16	PLUG	
	JACK	
3/4-20 两轴型	MALE	
	FEMALE	
10-32	MALE	
	FEMALE	
4mm香蕉头	PLUG	
	JACK	
BNC	MALE	
	FEMALE	
反极性 BNC	MALE	
	FEMALE	
75 欧姆 BNC	MALE	
	FEMALE	

*SMA, 2.92mm, & 3.5mm 连接器将机械和电气性能结合在一起

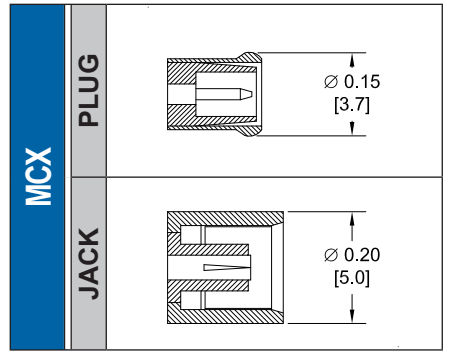
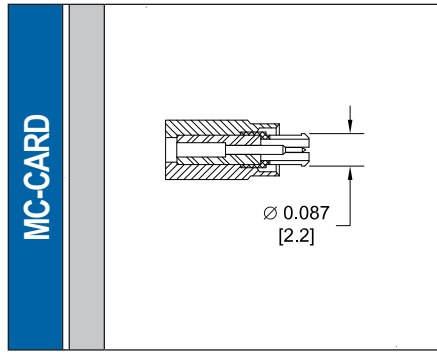
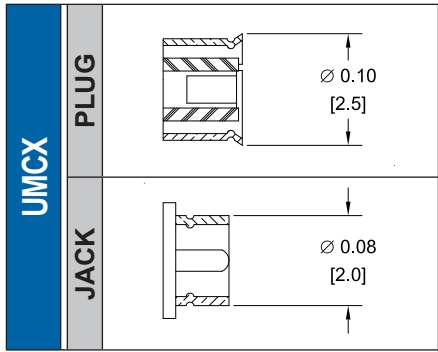
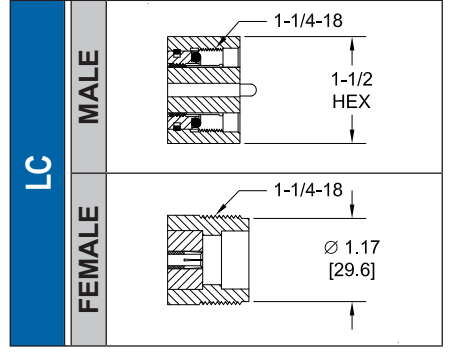
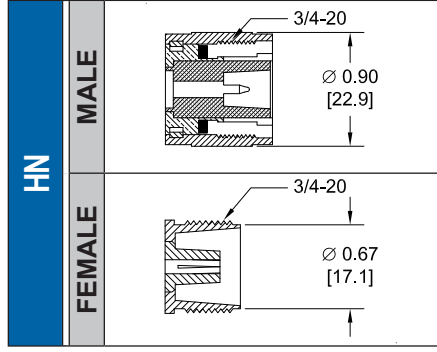
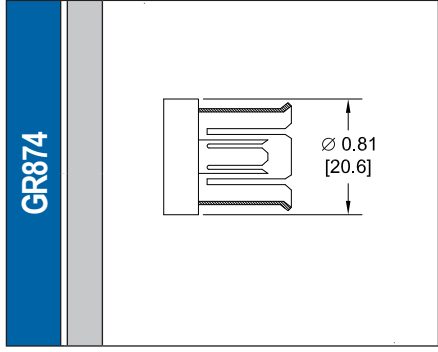
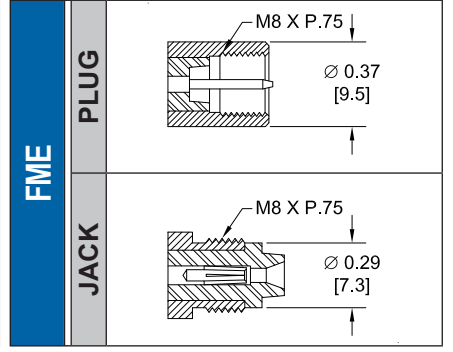
**1.85mm & 2.4mm 连接器将机械和电气性能结合在一起

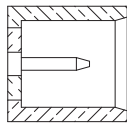
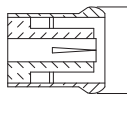


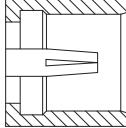
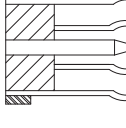
FAKRA

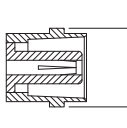
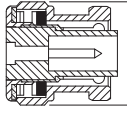
COMPLETE KEY CODE INFO	CODE	JACK	PLUG	COLOR	APPLICATION
A			BLACK	RADIO WITH PHANTOM SUPPLY	
B			WHITE	RADIO WITHOUT PHANTOM SUPPLY	
C			BLUE	GPS: TELEMATICS OR NAVIGATION	
D			BORDEAUX	GSM: CELLULAR PHONE	

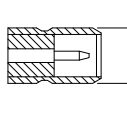
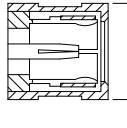
CODE	JACK	PLUG	COLOR	APPLICATION
H			VIOLET	GPS: TELEMATICS AND NAVIGATION
I			BEIGE	BLUETOOTH
K			CURRY	RADIO WITH I.F. OUTPUT (ANTENNA DIVERSITY)
Z			WATER BLUE	NEUTRAL CODING

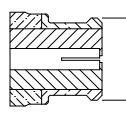
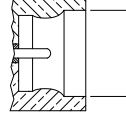


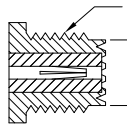
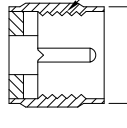
反极性 MCX	
JACK	 Ø 0.20" [5.0mm]
PLUG	 Ø 0.15" [3.7mm]

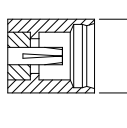
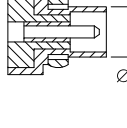
75 OHM MCX	
JACK	 Ø 0.20" [5.0mm]
PLUG	 Ø 0.15" [3.7mm]

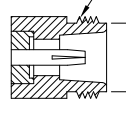
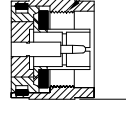
MHV	
FEMALE	 Ø 0.44" [11.1mm]
MALE	 Ø 0.57" [14.5mm]

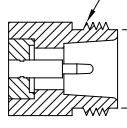
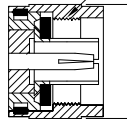
MINI 75 欧姆 SMB	
JACK	 Ø 0.14 [3.7]
PLUG	 Ø 0.25 [6.4]

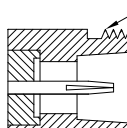
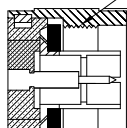
MINI SMP	
FEMALE	 Ø 0.09" [2.2]
MALE	 Ø 0.11" [2.8]

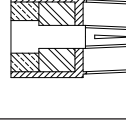
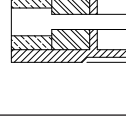
MINI-UHF	
FEMALE	 Ø 0.31 [7.8]
MALE	 3/8-24 Ø 0.45 [11.5]

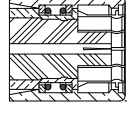
MMCX	
JACK	 Ø 0.14 [3.5]
PLUG	 Ø 0.09 [2.4]

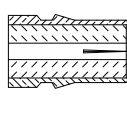
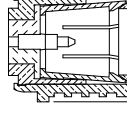
N	
FEMALE	 Ø 0.55 [14.0]
MALE	 5/8-24 Ø 0.80 [20.3]

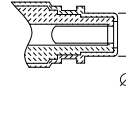
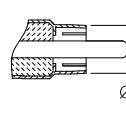
反极性 N	
FEMALE	 Ø 0.55 [14.0]
MALE	 5/8-24 Ø 0.80 [20.3]

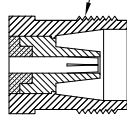
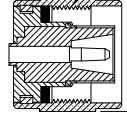
75 OHM N	
FEMALE	 Ø 0.55 [14.0]
MALE	 5/8-24 Ø 0.80 [20.3]

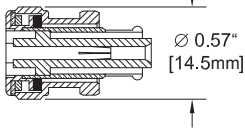
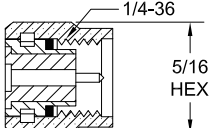
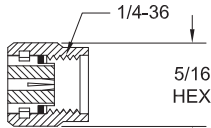
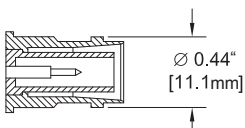
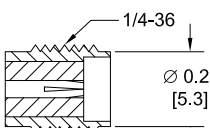
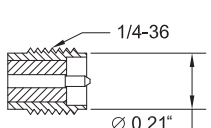
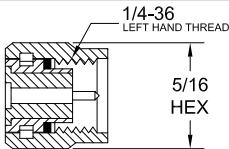
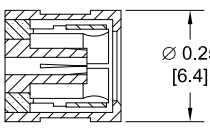
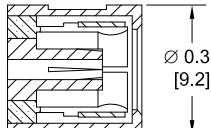
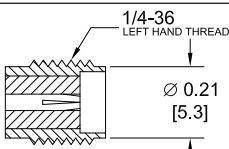
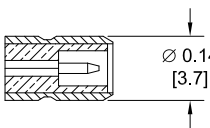
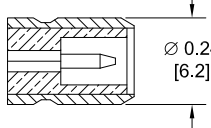
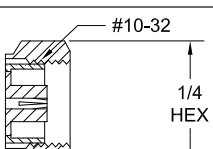
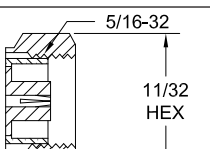
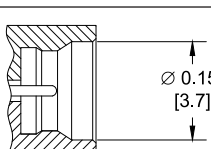
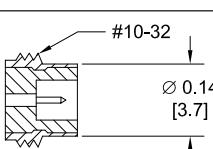
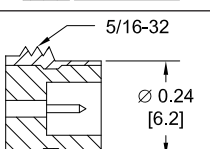
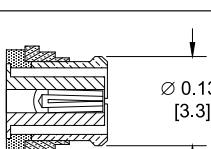
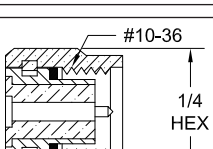
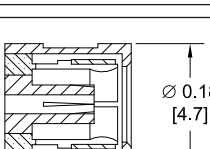
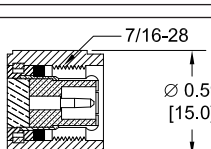
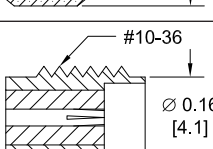
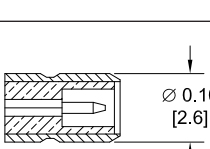
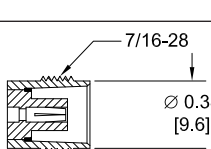
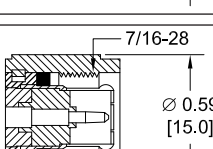
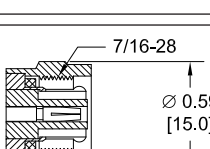
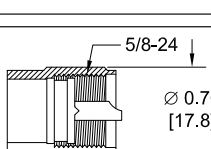
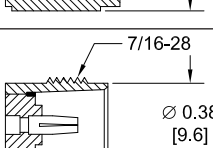
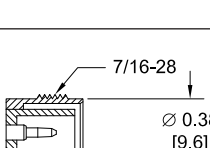
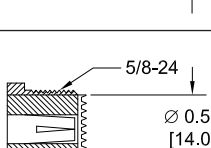
PAL	
JACK	 Ø 0.37 [9.4]
PLUG	 Ø 0.38 [9.5]

POSITIVE SNAP	
FEMALE	 Ø 0.39 [9.9]


QMA	
FEMALE	 Ø 0.19 [4.9]
MALE	 Ø 0.41 [10.5]

RCA	
JACK	 Ø 0.33 [8.4]
PLUG	 Ø 0.13 [3.2] Ø 0.37 [9.3]

SC	
FEMALE	 Ø 0.63 [15.9]
MALE	 11/16-24 Ø 0.80 [20.3]

SHV	PLUG	 Ø 0.57" [14.5mm]	SMA*	MALE	 1/4-36 5/16 HEX	反极性 SMA	MALE	 1/4-36 5/16 HEX
	JACK	 Ø 0.44" [11.1mm]		FEMALE	 1/4-36 Ø 0.21 [5.3]		FEMALE	 1/4-36 Ø 0.21" [5.3mm]
SMA 反向螺纹	MALE	 1/4-36 LEFT HAND THREAD 5/16 HEX	SMB	PLUG	 Ø 0.25 [6.4]	75 欧姆 SMB	PLUG	 Ø 0.37 [9.2]
	FEMALE	 1/4-36 LEFT HAND THREAD Ø 0.21 [5.3]		JACK	 Ø 0.14 [3.7]		JACK	 Ø 0.24 [6.2]
SMC	PLUG	 #10-32 1/4 HEX	75 欧姆 SMC	PLUG	 5/16-32 11/32 HEX	SMP	MALE	 Ø 0.15" [3.7]
	JACK	 #10-32 Ø 0.14 [3.7]		JACK	 5/16-32 Ø 0.24 [6.2]		FEMALE	 Ø 0.13" [3.3]
SSMA	MALE	 #10-36 1/4 HEX	SSMB	PLUG	 Ø 0.18 [4.7]	TNC	MALE	 7/16-28 Ø 0.59 [15.0]
	FEMALE	 #10-36 Ø 0.16 [4.1]		JACK	 Ø 0.10 [2.6]		FEMALE	 7/16-28 Ø 0.38 [9.6]
75 欧姆 TNC	MALE	 7/16-28 Ø 0.59 [15.0]	反极性 TNC	MALE	 7/16-28 Ø 0.59 [15.0]	UHF	MALE	 5/8-24 Ø 0.70 [17.8]
	FEMALE	 7/16-28 Ø 0.38 [9.6]		FEMALE	 7/16-28 Ø 0.38 [9.6]		FEMALE	 5/8-24 Ø 0.55 [14.0]

*SMA, 2.92mm & 3.5mm 连接器将机械和电气性能结合在一起

 北京海洋兴业科技股份有限公司 (证券代码: 839145)

北京市西三旗东黄平路19号龙旗广场4号楼(E座)906室 邮编: 100096

电话: 010-62176775 62178811 62176785

传真: 010-62176619

企业QQ: 800057747

邮箱: market@oitek.com.cn

企业官网: www.hyxyyq.com

购线网: www.gooxian.net



扫描二维码关注我们
查找微信公众号: 海洋仪器